



Capacitive Global Sensors

Capacitive Global sensors – above-average technology at the best price

For object and level detection, capacitive Global sensors are particularly cost-effective. They offer a wide range of performance-proven products in above-average technology with the best possible EMC protection at a low price.

The complete series includes M12, M18 and M30 variants in cable version and with M12 male. In a plastic or stainless steel housing. This guarantees maximum versatility in application.

All sensors can be easily adjusted to applications via potentiometers.

Features

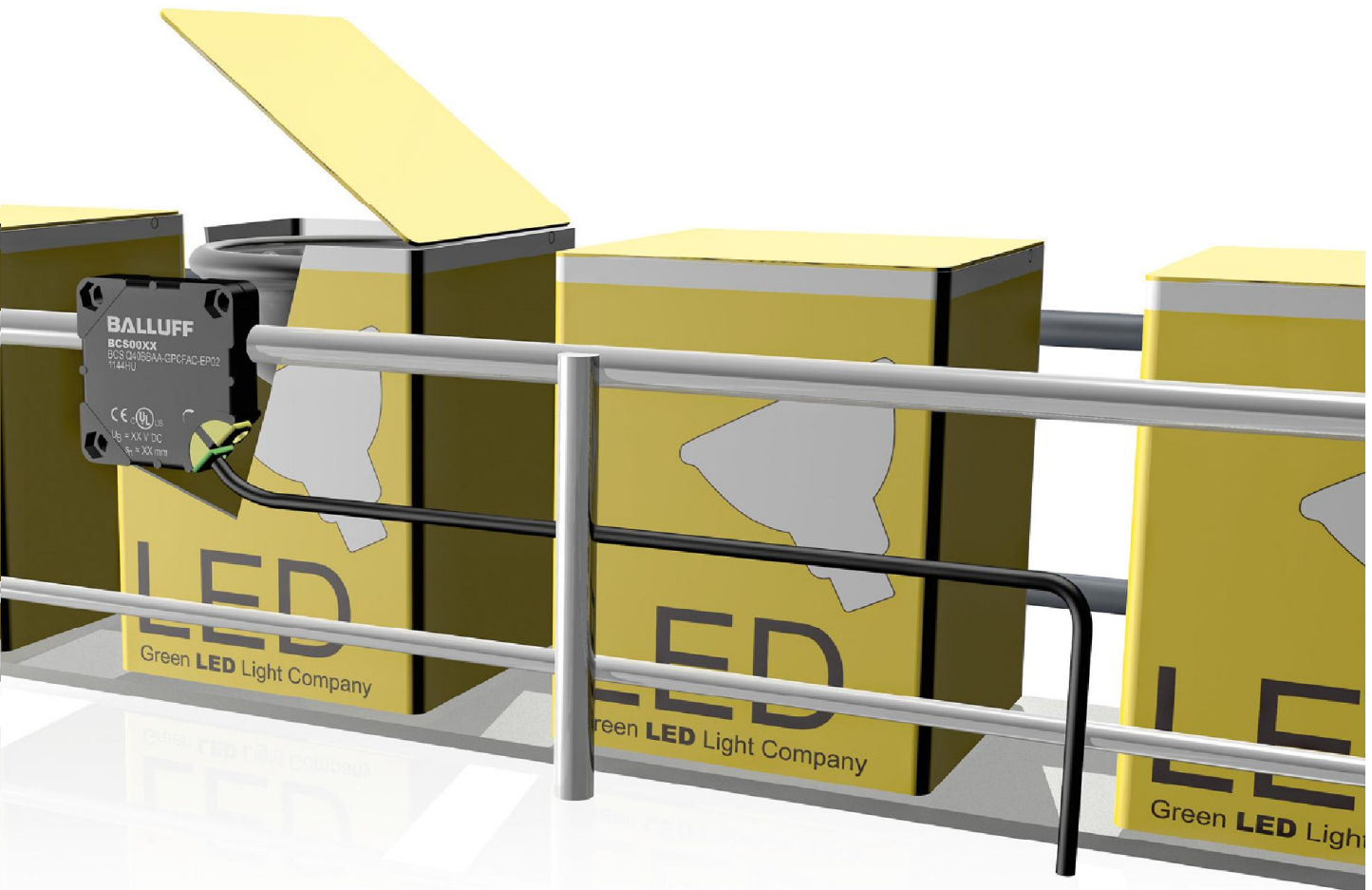
- **Stainless steel or plastic housing (PBT)**
- **PNP and NPN versions with normally open or normally closed**
- **Power-on indicator (large green LED)**
- **Output function indicator (large yellow LED)**
- **High electromagnetic compatibility (EMC)**



Capacitive Global Sensors

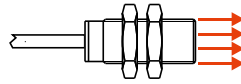
Contents

Performance Spectrum	56
Capacitive Global Sensors for Object Detection	
Cylinder Designs	
M12×1	58
M18×1	59
M30×1.5	60
Block Designs	
40×40×10 mm	62
16×34×8 mm	63
Capacitive Global Sensors for Level Detection	
Cylinder Designs	
M12×1	64
M18×1	65
M30×1.5	66

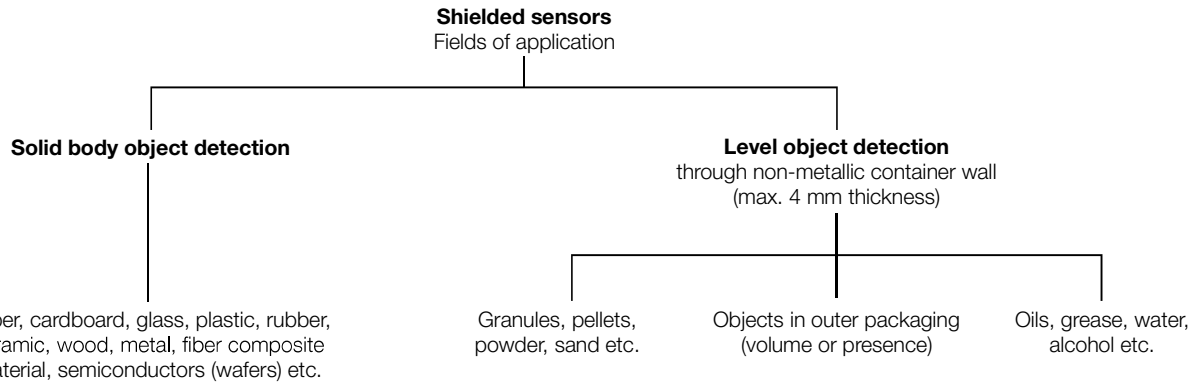


Object Detection

- Flush-mount
- Extended switching distance
- For example, detecting plastic parts

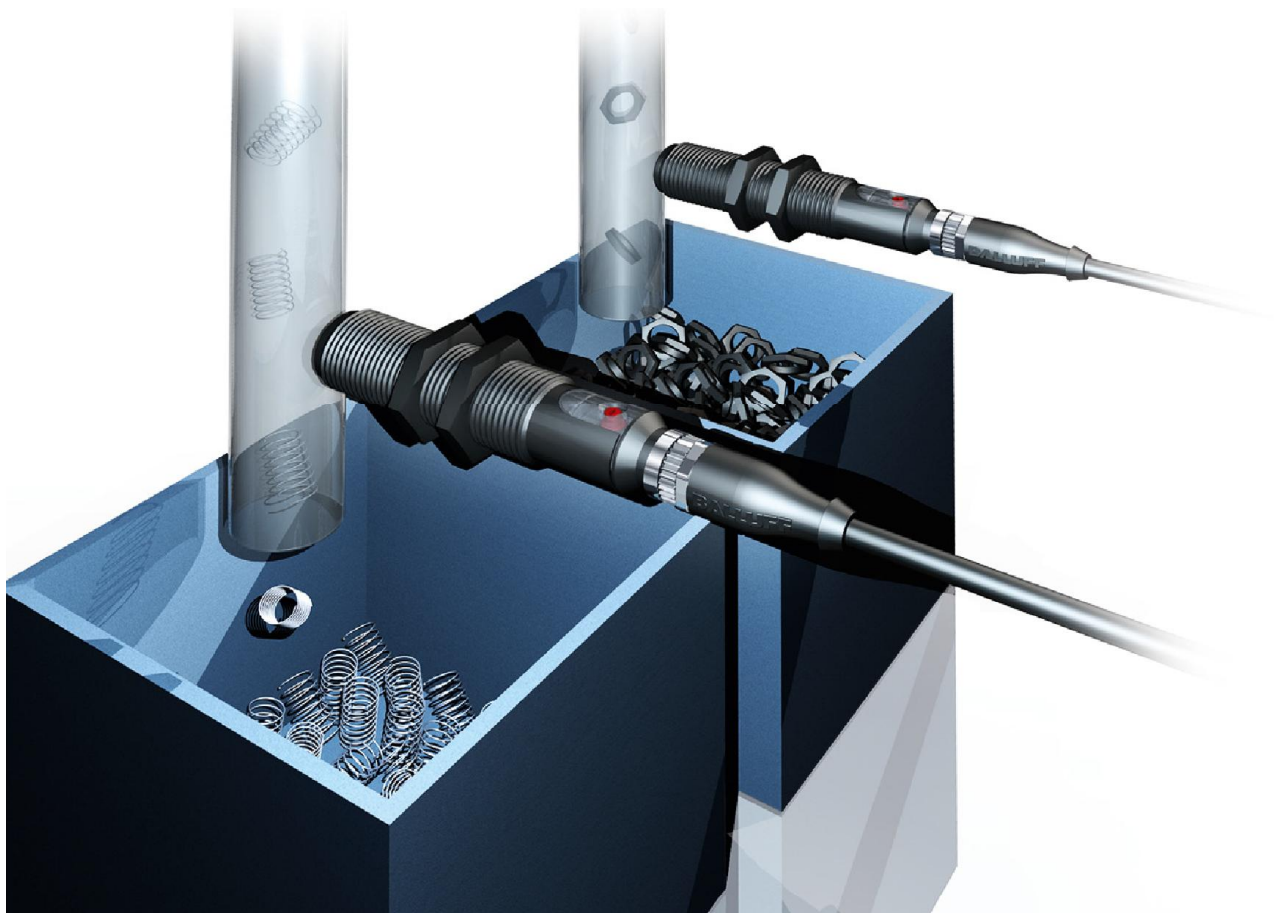


Flush-mount capacitive sensors detect objects reliably, even from a great distance. Regardless of color, structure and material.



Benefit

The concentrated electrical field enables also to detect media with a low dielectric constant reliably. (electrically weak or non-conductive, non-metallic materials).

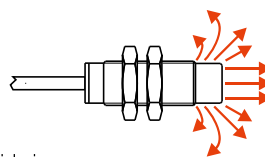




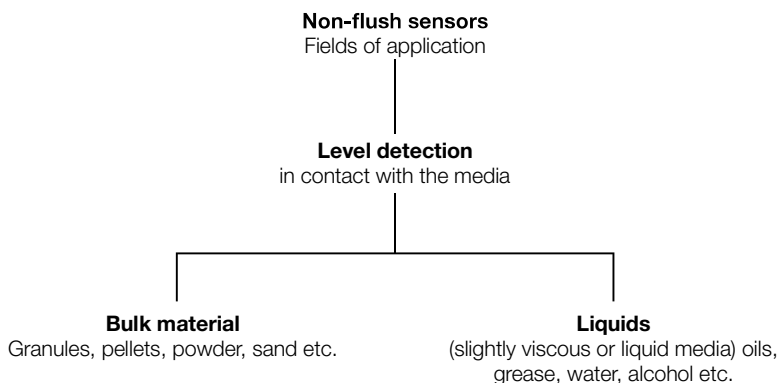
Capacitive Global Sensors Performance spectrum

Level detection

- Non-flush mount: improved adhesion compensation
- User adjustable sensitivity

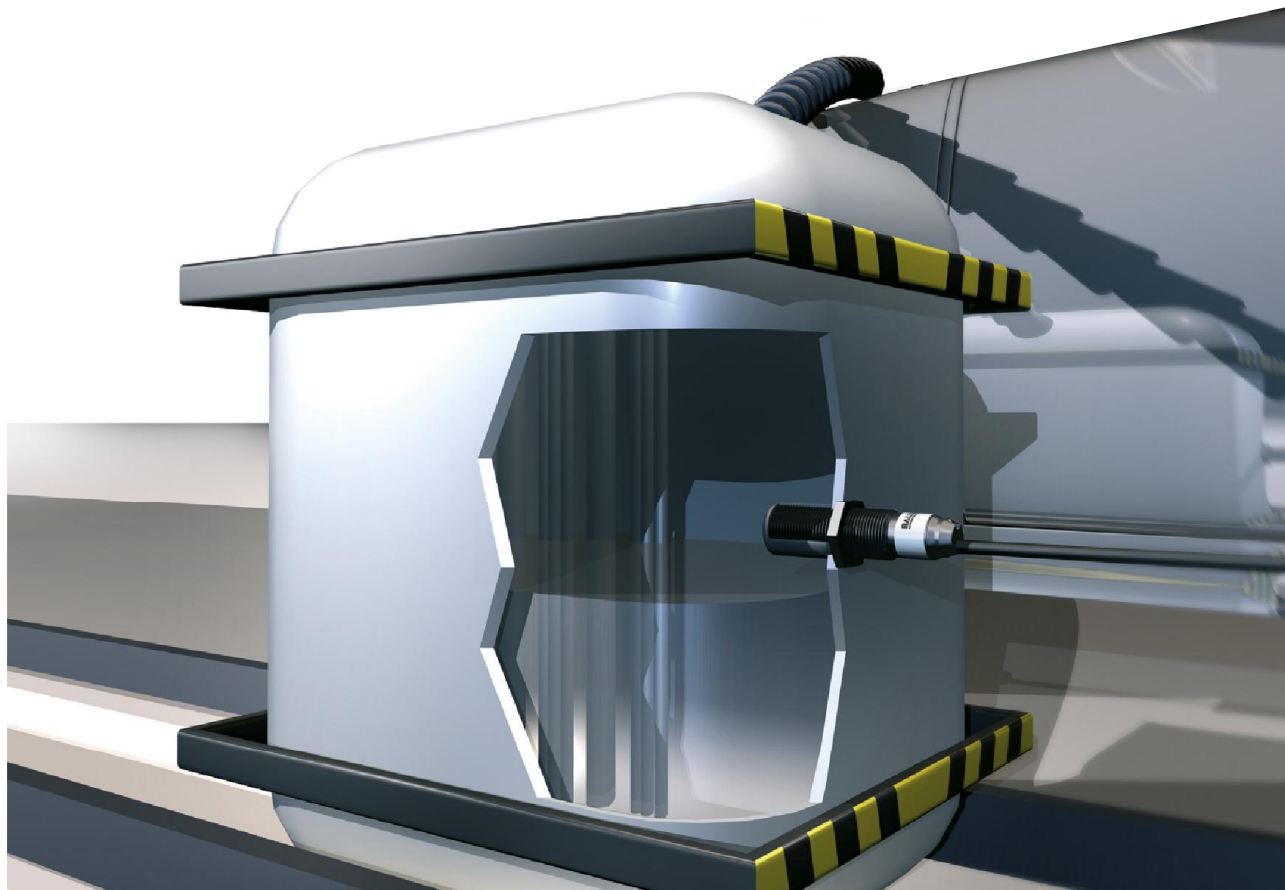


Non-flush mount Global sensors are ideal for level detection of bulk materials or liquids in direct contact. Material deposits are suppressed reliably in the process.



Benefit

Their spherical electrical field effectively compensates for material adhesion on the sensing face.



Capacitive
Global
Sensors

**Performance
Spectrum**

Capacitive
Sensors
for Object
Detection,
Cylinder
Design,
Block
Design

Capacitive
Sensors for
Level
Detection,
Cylinder
Design

Capacitive Global Sensors
 For object detection, cylinder design, DC 3-wire
 M12x1, range 4 mm

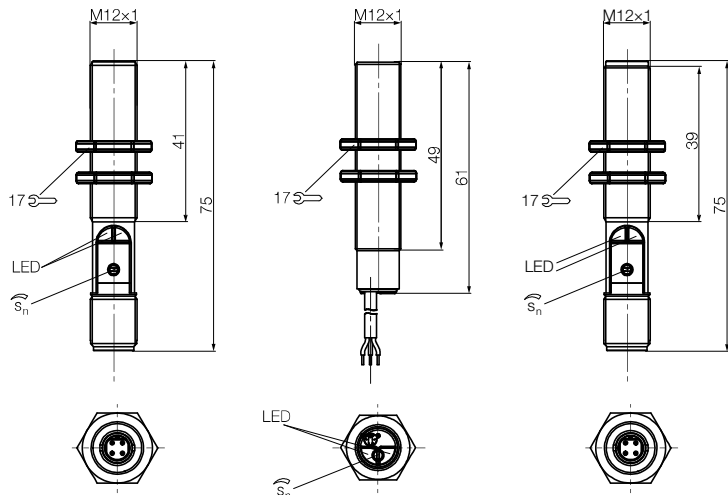
M12, M18
Global

Preferred variants
 available immediately



Size	M12x1	M12x1	M12x1
Installation type	Flush	Flush	Flush
Rated switching distance s_n	1...4 mm	1...4 mm	1...4 mm
PNP, NO	Order code BCS00P0	Order code BCS00R4	Order code BCS00PJ
	Part number BCS M12B4G2-PSC40D-S04K	Part number BCS M12B4I1-PSC40D-EP02	Part number BCS M12BBG2-PSC40D-S04K
PNP, NC	Order code BCS00P1	Order code BCS00P8	Order code BCS00PK
	Part number BCS M12B4G2-POC40D-S04K	Part number BCS M12B4I1-POC40D-EP02	Part number BCS M12BBG2-POC40D-S04K
NPN, NO	Order code BCS00P2	Order code BCS00P9	Order code BCS00PL
	Part number BCS M12B4G2-NSC40D-S04K	Part number BCS M12B4I1-NSaC40D-EP02	Part number BCS M12BBG2-NSC40D-S04K
NPN, NC	Order code BCS00P3	Order code BCS00PA	Order code BCS00PM
	Part number BCS M12B4G2-NOC40D-S04K	Part number BCS M12B4I1-NOC40D-EP02	Part number BCS M12BBG2-NOC40D-S04K
Supply voltage U_s	10...30 V DC	10...30 V DC	10...30 V DC
Voltage drop U_d at I_o	≤ 1.5 V	≤ 1.5 V	≤ 1.5 V
Rated insulation voltage U_i	75 V DC	75 V DC	75 V DC
Output current max.	100 mA	100 mA	100 mA
No-load supply current I_o max.	≤ 15 mA	≤ 15 mA	≤ 15 mA
Polarity reversal protected/transposition protected/short-circuit protected	Yes/Yes/Yes	Yes/Yes/Yes	Yes/Yes/Yes
Ambient temperature T_a	-25...+85 °C	-25...+85 °C	-25...+85 °C
Switching frequency f	100 Hz	100 Hz	100 Hz
Supply voltage/output function indicator	Green LED/Yellow LED	Green LED/Yellow LED	Green LED/Yellow LED
Degree of protection as per IEC 60529	IP 67	IP 67	IP 67
Material			
Housing	Stainless steel	Stainless steel	PBT
Sensing surface	PBT	PBT	PBT
Cover	PA 12, PBT	PA 12	PA 12, PBT
Connection	M12 connector, 4-pin, A-coded	2 m PUR cable, 3x0.14 mm ²	M12 connector, 4-pin, A-coded

Other variants on our website or on request.



Suitable connectors

Size/design	Length/cable material	Order code
M12, 4-pin/straight	2 m/PVC	BCC0367
M12, 4-pin/angled	2 m/PVC	BCC036P
M12, 4-pin/straight	5 m/PVC	BCC0368
M12, 4-pin/angled	5 m/PVC	BCC036N

You can find additional electrical accessories in our catalog **Industrial Networking and Connectivity**.

Recommended accessories

Description	Order code
Mounting bracket	BAM00C0
Mounting bracket	BAM00EY

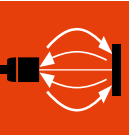
You can find additional mechanical accessories in our catalog **Accessories Line**.

Capacitive Global Sensors

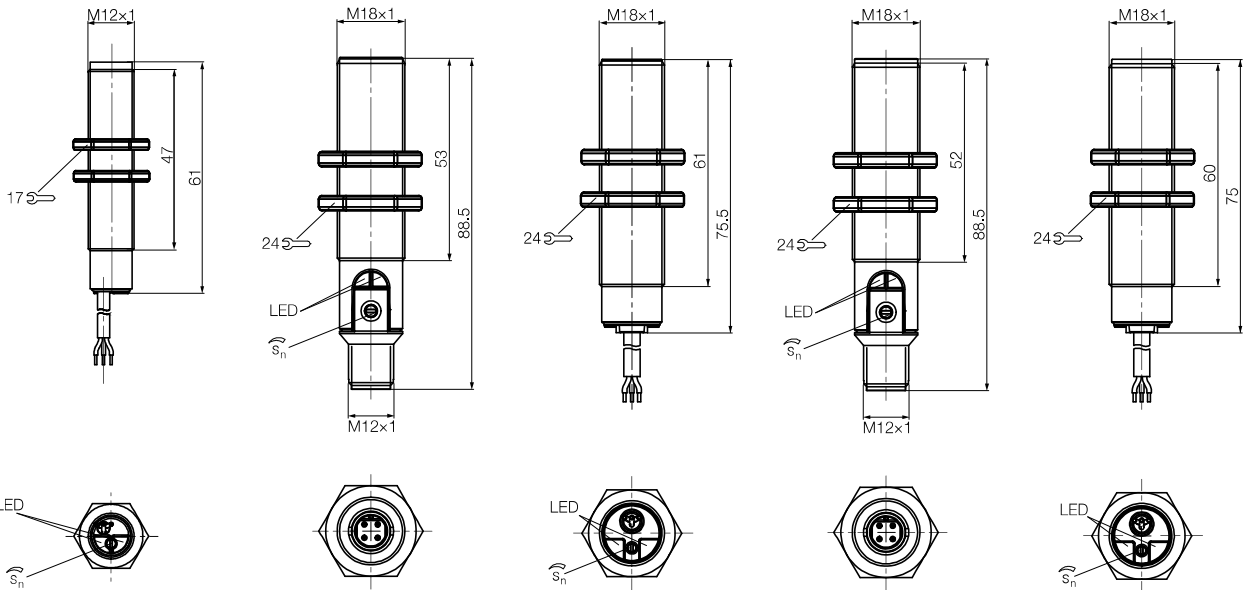
For object detection, cylinder design, DC 3-wire M12×1, M18×1, range 4 mm, 8 mm



M12×1	M18×1	M18×1	M18×1	M18×1
Flush	Flush	Flush	Flush	Flush
1...4 mm	2...8 mm	2...8 mm	2...8 mm	2...8 mm
BCS00PU	BCS00MF	BCS00LK	BCS00M8	BCS00NZ
BCS M12BBH1-PSC40D-EP02	BCS M18B4I3-PSC80D-S04K	BCS M18B4N1-PSC80D-EP02	BCS M18BBI3-PSC80D-S04K	BCS M18BBN1-PSC80D-EP02
BCS00PW	BCS00M4	BCS00LR	BCS00MH	BCS00M1
BCS M12BBH1-POC40D-EP02	BCS M18B4I3-POC80D-S04K	BCS M18B4N1-POC80D-EP02	BCS M18BBI3-POC80D-S04K	BCS M18BBN1-POC80D-EP02
BCS00PY	BCS00M5	BCS00LN	BCS00MJ	BCS00M2
BCS M12BBH1-NSC40D-EP02	BCS M18B4I3-NSC80D-S04K	BCS M18B4N1-NSC80D-EP02	BCS M18BBI3-NSC80D-S04K	BCS M18BBN1-NSC80D-EP02
BCS00PZ	BCS00M6	BCS00LP	BCS00MK	BCS00M3
BCS M12BBH1-NOC40D-EP02	BCS M18B4I3-NOC80D-S04K	BCS M18B4N1-NOC80D-EP02	BCS M18BBI3-NOC80D-S04K	BCS M18BBN1-NOC80D-EP02
10...30 V DC	10...30 V DC	10...30 V DC	10...30 V DC	10...30 V DC
≤ 1.5 V	≤ 1.5 V	≤ 1.5 V	≤ 1.5 V	≤ 1.5 V
75 V DC	75 V DC	75 V DC	75 V DC	75 V DC
100 mA	100 mA	100 mA	100 mA	100 mA
≤ 15 mA	≤ 15 mA	≤ 15 mA	≤ 15 mA	≤ 15 mA
Yes/Yes/Yes	Yes/Yes/Yes	Yes/Yes/Yes	Yes/Yes/Yes	Yes/Yes/Yes
-25...+85 °C	-25...+85 °C	-25...+85 °C	-25...+85 °C	-25...+85 °C
100 Hz	100 Hz	100 Hz	100 Hz	100 Hz
Green LED/Yellow LED	Green LED/Yellow LED	Green LED/Yellow LED	Green LED/Yellow LED	Green LED/Yellow LED
IP 67	IP 67	IP 67	IP 67	IP 67
PBT	Stainless steel	Stainless steel	PBT	PBT
PBT	PBT	PBT	PBT	PBT
PA 12	PA 12, PBT	PA 12	PA 12, PBT	PA 12
2 m PUR cable, 3×0.14 mm ²	M12 connector, 4-pin, A-coded	2 m PUR cable, 3×0.34 mm ²	M12 connector, 4-pin, A-coded	2 m PUR cable, 3×0.34 mm ²



Capacitive Global Sensors
Performance Spectrum
Capacitive Sensors for Object Detection, Cylinder Design, Block Design
Capacitive Sensors for Level Detection, Cylinder Design



Capacitive Global Sensors
 For object detection, cylinder design, DC 3-wire
 M30×1.5, range 15 mm

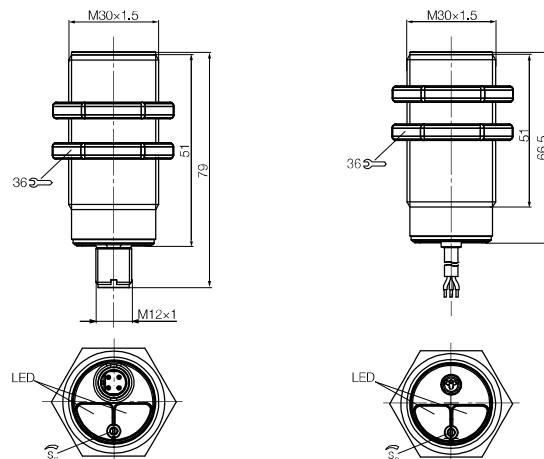


Preferred variants available immediately



Size	M30×1.5	M30×1.5
Installation type	Flush	Flush
Rated switching distance s_n	2...15 mm	2...15 mm
PNP, NO	Order code Part number BCS00MR BCS M30B4I2-PSC15D-S04K	Order code Part number BCS00N2 BCS M30B4I1-PSC15D-EP02
PNP, NC	Order code Part number BCS00MT BCS M30B4I2-POC15D-S04K	Order code Part number BCS00N3 BCS M30B4I1-POC15D-EP02
NPN, NO	Order code Part number BCS00MU BCS M30B4I2-NSC15D-S04K	Order code Part number BCS00N4 BCS M30B4I1-NSC15D-EP02
NPN, NC	Order code Part number BCS00MW BCS M30B4I2-NOC15D-S04K	Order code Part number BCS00N5 BCS M30B4I1-NOC15D-EP02
Supply voltage U_s	10...30 V DC	10...30 V DC
Voltage drop U_d at I_o	≤ 1.5 V	≤ 1.5 V
Rated insulation voltage U_i	75 V DC	75 V DC
Output current max.	100 mA	100 mA
No-load supply current I_o max.	≤ 15 mA	≤ 15 mA
Polarity reversal protected/transposition protected/short-circuit protected	Yes/Yes/Yes	Yes/Yes/Yes
Ambient temperature T_a	-25...+85 °C	-25...+85 °C
Switching frequency f	100 Hz	100 Hz
Supply voltage/output function indicator	Green LED/Yellow LED	Green LED/Yellow LED
Degree of protection as per IEC 60529	IP 67	IP 67
Material	Housing: Stainless steel Sensing surface: PBT Cover: PA 12, PBT	Housing: Stainless steel Sensing surface: PBT Cover: PA 12, PBT
Connection	M12 connector, 4-pin, A-coded	2 m PUR cable, 3×0.34 mm ²

Other variants on our website or on request.



Suitable connectors

Size/design	Length/cable material	Order code
M12, 4-pin/straight	2 m/PVC	BCC0367
M12, 4-pin/angled	2 m/PVC	BCC036P
M12, 4-pin/straight	5 m/PVC	BCC0368
M12, 4-pin/angled	5 m/PVC	BCC036N

Recommended accessories

Description	Order code
Mounting bracket	BAM00HH
Clamping holders	BAM015H
Mounting cuff	BAM00HN

You can find additional electrical accessories in our catalog **Industrial Networking and Connectivity**.

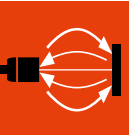
You can find additional mechanical accessories in our catalog **Accessories Line**.

Capacitive Global Sensors

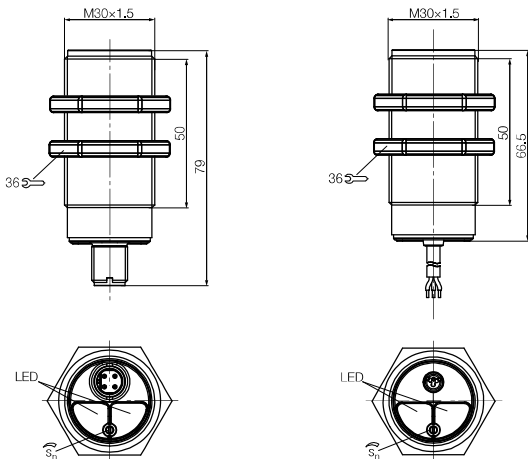
For object detection, cylinder design, DC 3-wire M30×1.5, range 15 mm



M30×1.5	M30×1.5		
Flush	Flush		
2...15 mm	2...15 mm		
BCS00NA	BCS00NM		
BCS M30BBI2-PSC15D-S04K	BCS M30BBI1-PSC15D-EP02		
BCS00NC	BCS00NN		
BCS M30BBI2-POC15D-S04K	BCS M30BBI1-POC15D-EP02		
BCS00NE	BCS00NP		
BCS M30BBI2-NSC15D-S04K	BCS M30BBI1-NSC15D-EP02		
BCS00NF	BCS00NR		
BCS M30BBI2-NOC15D-S04K	BCS M30BBI1-NOC15D-EP02		
10...30 V DC	10...30 V DC		
≤ 1.5 V	≤ 1.5 V		
75 V DC	75 V DC		
100 mA	100 mA		
≤ 15 mA	≤ 15 mA		
Yes/Yes/Yes	Yes/Yes/Yes		
-25...+85 °C	-25...+85 °C		
100 Hz	100 Hz		
Green LED/Yellow LED	Green LED/Yellow LED		
IP 67	IP 67		
PBT	PBT		
PBT	PBT		
PA 12, PBT	PA 12, PBT		
M12 connector, 4-pin, A-coded	2 m PUR cable, 3×0.34 mm ²		



Capacitive
Global
Sensors
Performance
Spectrum
Capacitive
Sensors
for Object
Detection,
Cylinder
Design,
Block
Design
Capacitive
Sensors for
Level
Detection,
Cylinder
Design



Capacitive Global Sensors
For object detection, block design, DC 3-wire
40×40×10 mm Uniflat, range 20 mm

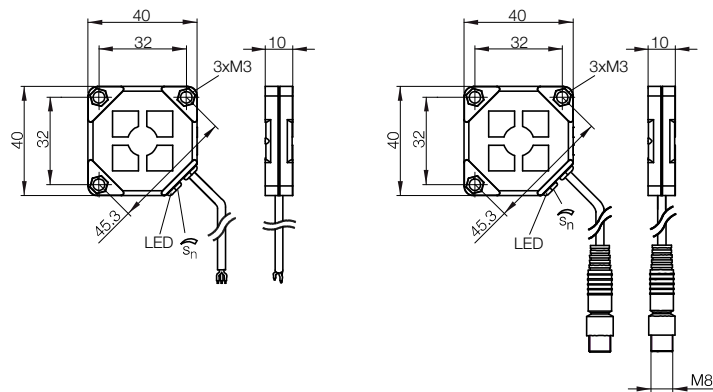
40×40×10 mm
16×34×8 mm
Global

Preferred variants
 available immediately



Size		40×40×10 mm Uniflat	40×40×10 mm Uniflat
Installation type		Flush	Flush
Rated switching distance s_n		1...20 mm	1...20 mm
PNP/NPN and NO/NC, can be coded	Order code	BCS00TR	
	Part number	BCS Q40BBAA-GPC20C-EP02	
PNP, NO	Order code		BCS00U6
	Part number		BCS Q40BBAA-PSC20C-EP00,3-GS49
PNP, NC	Order code		BCS00U5
	Part number		BCS Q40BBAA-POC20C-EP00,3-GS49
Supply voltage U_s		10...30 V DC	10...30 V DC
Voltage drop U_d at I_e		≤ 2.5 V	≤ 2.5 V
Rated insulation voltage U_i		75 V DC	75 V DC
Output current max.		100 mA	100 mA
No-load supply current I_0 max.		≤ 15 mA	≤ 15 mA
Polarity reversal protected/transposition protected/short-circuit protected		No/No/Yes	Yes/Yes/Yes
Ambient temperature T_a		-5...+85 °C	-5...+85 °C
Switching frequency f		100 Hz	100 Hz
Supply voltage/output function indicator		Green LED/Yellow LED	Green LED/Yellow LED
Degree of protection as per IEC 60529		IP 67	IP 67
Material	Housing	PBT	PBT
	Sensing surface	PBT	PBT
	Cover	PBT	PBT
Connection		2 m PUR cable, 3×0.14 mm ²	0.3 m PUR cable with M8 plug, 3-pin

Other variants on our website or on request.



Suitable connectors

Size/design	Length/cable material	Order code
M8, 3-pin/straight	2 m/PVC	BCC02NU
M8, 3-pin/angled	5 m/PVC	BCC02NW

Recommended accessories

Description	Order code
Ø 20 mm sensor holder	BAM01UL

You can find additional electrical accessories in our catalog **Industrial Networking and Connectivity**.

You can find additional mechanical accessories in our catalog **Accessories Line**.

Capacitive Global Sensors

For object detection, block design, DC 3-wire

16x34x8 mm Micro-Box



Preferred variants available immediately

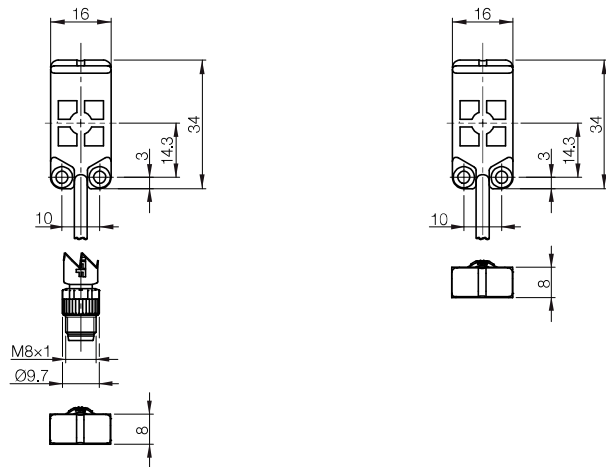


Size	16x34x8 mm MicroBox	16x34x8 mm MicroBox
Mounting type	Flush	Flush
Rated switching distance s_n	1...8 mm	1...8 mm
PNP, NO	Order code	BCS012T
	Part number	BCS R08RRE-PSM80C-EP00,3-GS75
PNP, NC	Order code	BCS012U
	Part number	BCS R08RRE-POM80C-EP00,3-GS75
NPN, NO	Order code	BCS012W
	Part number	BCS R08RRE-NSM80C-EP00,3-GS75
NPN, NC	Order code	BCS012Y
	Part number	BCS R08RRE-NOM80C-EP00,3-GS75
Supply voltage U_S	12...30 V DC	12...30 V DC
Voltage drop U_d at I_e	≤ 1.5 V	≤ 1.5 V
Rated insulation voltage U_i	75 V DC	75 V DC
Output current max.	50 mA	50 mA
No-load supply current I_0 max.	≤ 12 mA	≤ 12 mA
Polarity reversal protected/transposition protected/short-circuit protected	Yes/Yes/Yes	Yes/Yes/Yes
Ambient temperature T_a	-25...+70 °C	-25...+70 °C
Switching frequency f	50 Hz	50 Hz
Output function indicator	Yellow LED	Yellow LED
Degree of protection as per IEC 60529	IP 67	IP 67
Material	Housing	PP
	Sensing surface	PP
Connection	0.3 m PUR cable, 4x0.14 mm ² with M8 connector, 4-pin	2 m PUR cable, 4x0.14 mm ²



Capacitive Global Sensors
Performance Spectrum
Capacitive Sensors for Object Detection, Cylinder Design, Block Design
Capacitive Sensors for Level Detection, Cylinder Design

Other variants on our website or on request.



Capacitive Global Sensors

For level detection, cylinder design, DC 3-wire M12x1

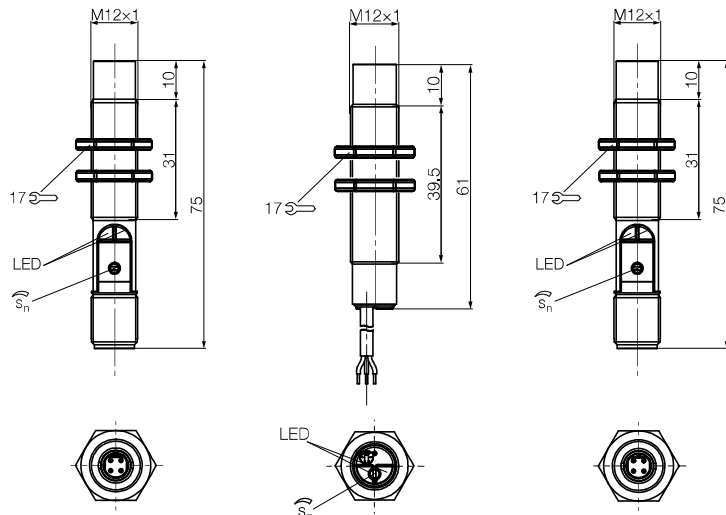
M12, M18 Metal Global

Preferred variants
available immediately



Size	M12x1	M12x1	M12x1
Installation type	Non-flush	Non-flush	Non-flush
Rated switching distance s_n	1...8 mm	1...8 mm	1...8 mm
PNP, NO	Order code Part number	BCS00P4 BCS M12B4E2-PSC80H-S04K	BCS00PC BCS M12B4G1-PSC80H-EP02
PNP, NC	Order code Part number	BCS00P5 BCS M12B4E2-POC80H-S04K	BCS00PE BCS M12B4G1-POC80H-EP02
NPN, NO	Order code Part number	BCS00P6 BCS M12B4E2-NSC80H-S04K	BCS00PF BCS M12B4G1-NSC80H-EP02
NPN, NC	Order code Part number	BCS00P7 BCS M12B4E2-NOC80H-S04K	BCS00PH BCS M12B4G1-NOC80H-EP02
Supply voltage U_s	10...30 V DC	10...30 V DC	10...30 V DC
Voltage drop U_d at I_o	≤ 1.5 V	≤ 1.5 V	≤ 1.5 V
Rated insulation voltage U_i	75 V DC	75 V DC	75 V DC
Output current max.	100 mA	100 mA	100 mA
No-load supply current I_o max.	≤ 15 mA	≤ 15 mA	≤ 15 mA
Polarity reversal protected/transposition protected/short-circuit protected	Yes/Yes/Yes	Yes/Yes/Yes	Yes/Yes/Yes
Ambient temperature T_a	-25...+85 °C	-25...+85 °C	-25...+85 °C
Switching frequency f	100 Hz	100 Hz	100 Hz
Output function indicator	Yellow LED	Yellow LED	Green LED/Yellow LED
Degree of protection as per IEC 60529	IP 67	IP 67	IP 67
Material	Housing: Stainless steel Sensing surface: PBT Cover: PA 12, PBT	Housing: Stainless steel Sensing surface: PBT Cover: PA 12	Housing: Stainless steel Sensing surface: PBT Cover: PA 12, PBT
Connection	M12 connector, 4-pin, A-coded	2 m PUR cable, 3x0.14 mm ²	M12 connector, 4-pin, A-coded

Other variants on our website or on request.



Suitable connectors

Size/design	Length/cable material	Order code
M12, 4-pin/straight	2 m/PVC	BCC0367
M12, 4-pin/angled	2 m/PVC	BCC036P
M12, 4-pin/straight	5 m/PVC	BCC0368
M12, 4-pin/angled	5 m/PVC	BCC036N

Recommended accessories

Description	Order code
Mounting bracket	BAM00C0
Mounting bracket	BAM00EY
Clamping holder with positive stop	BAM00CY

You can find additional electrical accessories in our catalog **Industrial Networking and Connectivity**.

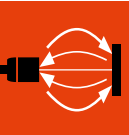
You can find additional mechanical accessories in our catalog **Accessories Line**.

Capacitive Global Sensors

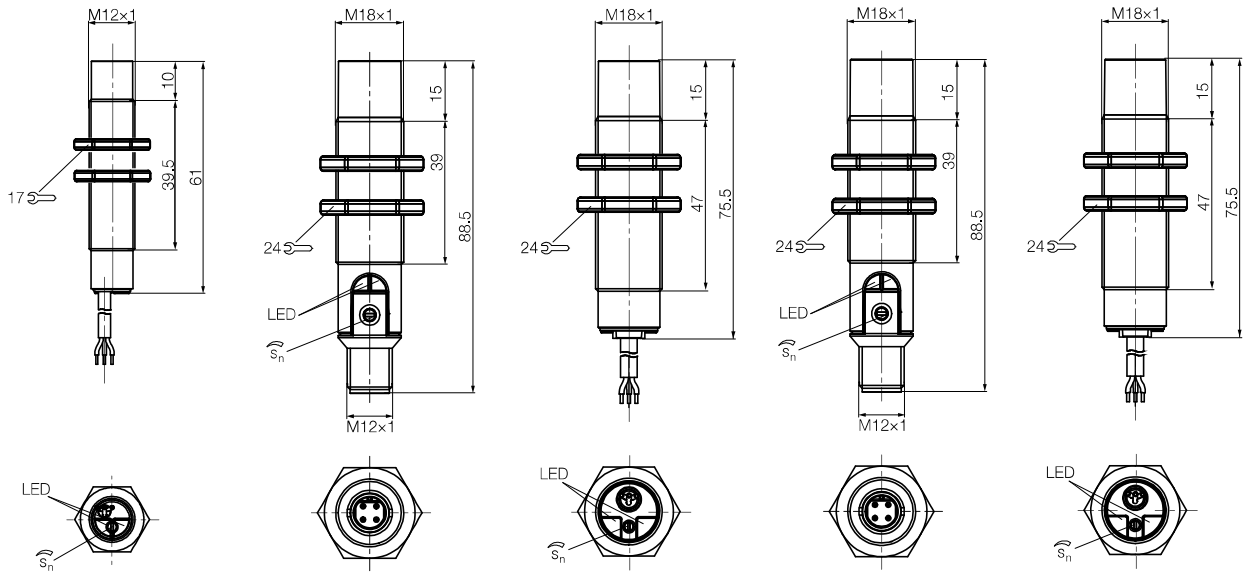
For level detection, cylinder design, DC 3-wire M12×1, M18×1



M12×1	M18×1	M18×1	M18×1	M18×1	M18×1
Non-flush	Non-flush	Non-flush	Non-flush	Non-flush	Non-flush
1...8 mm	2..15 mm	2..15 mm	2..15 mm	2..15 mm	2..15 mm
BCS00R0	BCS00ME	BCS00M7	BCS00LM	BCS00LL	BCS00LL
BCS M12BBG1-PSC80H-EP02	BCS M18B4G2-PSC15H-S04K	BCS M18B4H1-PSC15H-EP02	BCS M18BBG2-PSC15H-S04K	BCS M18BBH1-PSC15H-EP02	BCS M18BBH1-PSC15H-EP02
BCS00R1	BCS00ML	BCS00M9	BCS00LT	BCS00LY	BCS00LY
BCS M12BBG1-POC80H-EP02	BCS M18B4G2-POC15H-S04K	BCS M18B4H1-POC15H-EP02	BCS M18BBG2-POC15H-S04K	BCS M18BBH1-POC15H-EP02	BCS M18BBH1-POC15H-EP02
BCS00R2	BCS00MM	BCS00MA	BCS00LU	BCS00LZ	BCS00LZ
BCS M12BBG1-NSC80H-EP02	BCS M18B4G2-NSC15H-S04K	BCS M18B4H1-NSC15H-EP02	BCS M18BBG2-NSC15H-S04K	BCS M18BBH1-NSC15H-EP02	BCS M18BBH1-NSC15H-EP02
BCS00R3	BCS00MN	BCS00MC	BCS00LW	BCS00MO	BCS00MO
BCS M12BBG1-NOC80H-EP02	BCS M18B4G2-NOC15H-S04K	BCS M18B4H1-NOC15H-EP02	BCS M18BBG2-NOC15H-S04K	BCS M18BBH1-NOC15H-EP02	BCS M18BBH1-NOC15H-EP02
10...30 V DC	10...30 V DC	10...30 V DC	10...30 V DC	10...30 V DC	10...30 V DC
≤ 1.5 V	≤ 1.5 V	≤ 1.5 V	≤ 1.5 V	≤ 1.5 V	≤ 1.5 V
75 V DC	75 V DC	75 V DC	75 V DC	75 V DC	75 V DC
100 mA	100 mA	100 mA	100 mA	100 mA	100 mA
≤ 15 mA	≤ 15 mA	≤ 15 mA	≤ 15 mA	≤ 15 mA	≤ 15 mA
Yes/Yes/Yes	Yes/Yes	Yes/Yes	Yes/Yes/Yes	Yes/Yes/Yes	Yes/Yes/Yes
-25...+85 °C	-25...+85 °C	-25...+85 °C	-25...+85 °C	-25...+85 °C	-25...+85 °C
100 Hz	100 Hz	100 Hz	100 Hz	100 Hz	100 Hz
Green LED/Yellow LED	Green LED/Yellow LED	Green LED/Yellow LED	Green LED/Yellow LED	Green LED/Yellow LED	Green LED/Yellow LED
IP 67	IP 67	IP 67	IP 67	IP 67	IP 67
PBT	Stainless steel	Stainless steel	PBT	PBT	PBT
PBT	PBT	PBT	PBT	PBT	PBT
PA 12	PA 12, PBT	PA 12	PA 12, PBT	PA 12	PA 12
2 m PUR cable, 3×0.14 mm ²	M12 connector, 4-pin, A-coded	2 m PUR cable, 3×0.34 mm ²	M12 connector, 4-pin, A-coded	2 m PUR cable 3×0.34 mm ²	2 m PUR cable 3×0.34 mm ²



Capacitive Global Sensors
Performance Spectrum
Capacitive Sensors for Object Detection, Cylinder Design, Block Design
Capacitive Sensors for Level Detection, Cylinder Design



Capacitive Global Sensors

For level detection, cylinder design, DC 3-wire

M30×1.5

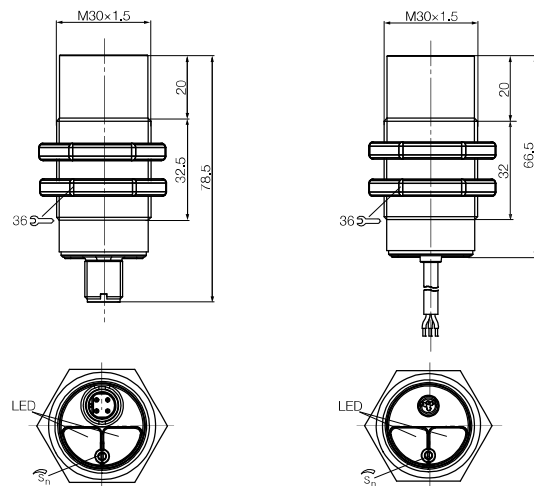


Preferred variants available immediately



Size		M30×1.5	M30×1.5
Installation type		Non-flush	Non-flush
Rated switching distance s_n		1...25 mm	1...25 mm
PNP, NO	Order code	BCS00MY	BCS00N6
	Part number	BCS M30B4E2-PSC25H-S04K	BCS M30B4E1-PSC25H-EP02
PNP, NC	Order code	BCS00MZ	BCS00N7
	Part number	BCS M30B4E2-POC25H-S04K	BCS M30B4E1-POC25H-EP02
NPN, NO	Order code	BCS00N0	BCS00N8
	Part number	BCS M30B4E2-NSC25H-S04K	BCS M30B4E1-NSC25H-EP02
NPN, NC	Order code	BCS00N1	BCS00N9
	Part number	BCS M30B4E2-NOC25H-S04K	BCS M30B4E1-NOC25H-EP02
Supply voltage U_s		10...30 V DC	10...30 V DC
Voltage drop U_d at I_o		≤ 1.5 V	≤ 1.5 V
Rated insulation voltage U_i		75 V DC	75 V DC
Output current max.		100 mA	100 mA
No-load supply current I_o max.		≤ 15 mA	≤ 15 mA
Polarity reversal protected/transposition protected/short-circuit protected		Yes/Yes/Yes	Yes/Yes/Yes
Ambient temperature T_a		-25...+85 °C	-25...+85 °C
Switching frequency f		100 Hz	100 Hz
Supply voltage/output function indicator		Green LED/Yellow LED	Green LED/Yellow LED
Degree of protection as per IEC 60529		IP 67	IP 67
Material	Housing	Stainless steel	Stainless steel
	Sensing surface	PBT	PBT
	Cover	PA 12, PBT	PA 12, PBT
Connection		M12 connector, 4-pin, A-coded	2 m PUR cable, 3×0.34 mm ²

Other variants on our website or on request.



Suitable connectors

Size/design	Length/cable material	Order code
M12, 4-pin/straight	2 m/PVC	BCC0367
M12, 4-pin/angled	2 m/PVC	BCC036P
M12, 4-pin/straight	5 m/PVC	BCC0368
M12, 4-pin/angled	5 m/PVC	BCC036N

Recommended accessories

Description	Order code
Mounting bracket	BAM00HH
Mounting cuff	BAM00HN

You can find additional electrical accessories in our catalog **Industrial Networking and Connectivity**.

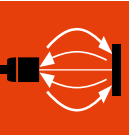
You can find additional mechanical accessories in our catalog **Accessories Line**.

Capacitive Global Sensors

For level detection, cylinder design, DC 3-wire M30×1.5



M30×1.5 Non-flush 1...25 mm BCS00NH BCS M30BBE2-PSC25H-S04K	M30×1.5 Non-flush 1...25 mm BCS00NT BCS M30BBE1-PSC25H-EP02		
BCS00NJ BCS M30BBE2-POC25H-S04K	BCS00NU BCS M30BBE1-POC25H-EP02		
BCS00NK BCS M30BBE2-NSC25H-S04K	BCS00NW BCS M30BBE1-NSC25H-EP02		
BCS00NL BCS M30BBE2-NOC25H-S04K	BCS00NY BCS M30BBE1-NOC25H-EP02		
10...30 V DC ≤ 1.5 V 75 V DC 100 mA ≤ 15 mA Yes/Yes/Yes	10...30 V DC ≤ 1.5 V 75 V DC 100 mA ≤ 15 mA Yes/Yes/Yes		
-25...+85 °C 100 Hz Green LED/Yellow LED IP 67 PBT PBT PA 12, PBT M12 connector, 4-pin, A-coded	-25...+85 °C 100 Hz Green LED/Yellow LED IP 67 PBT PBT PA 12, PBT 2 m PUR cable, 3×0.34 mm ²		



Capacitive
Global
Sensors
Performance
Spectrum
Capacitive
Sensors
for Object
Detection,
Cylinder
Design,
Block
Design
Capacitive
Sensors for
Level
Detection,
Cylinder
Design

